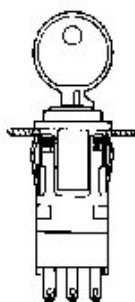




AML27ABK2AC22BA



Actual product appearance may vary.

**AML27 Series, Electronic Control
Keylock, Square, Key Entry, Unlighted,
DPDT, Maintained, Snap in panel mount**

Features

- 2 or 3 positions, maintained, (90° throw) and momentary action, (60° throw).
- 5-bit key combinations
- UL recognized, CSA certified.
- Static discharge protection (up to 20 kV when grounded).

Potential Applications

- Enable control of access to computer peripherals, keyboards, point-of-sale terminals, and security systems which are locked when unattended; and other locations where tampering must be discouraged.

Product Specifications	
Product Type	Electronic Control Keylock
Housing Type	Square
Circuitry	DPDT
Action	Maintained
Mounting	Snap-in Panel
Lamp Type	Unlighted
Termination	.110 x .020 (Solder or Quick-Connect)
Ampere/Voltage Range (Resistive Load)	0.4-2 A @ 0.5-30 Vdc, 0.4-2 A @ 0.5 -250 Vac, 0.4-3 A @ 0.5-125 Vac
Availability	Global
UNSPSC Code	302119
UNSPSC Commodity	302119 Switches and controls and relays
Series Name	AML27

RASTER
 DRAWN JAK 17 JUN 94
 CHECK JAF 11 JUL 94
 REV: SIONS
 A 201476
 GJW
 9 OCT 00
 B 203742
 CSL
 17 AUG 01
 ISSUE 3
 M
 AML27 SERIES CHART 1
 PAGE 1 OF 1
 CATALOG LISTING
 RELEASE NO CO-78498
 REPLACES AML 27 SERIES

MICRO SWITCH
 FREEPORT ILLINOIS U S A
 A DIVISION OF HONEYWELL
 FED MFG CODE 91929

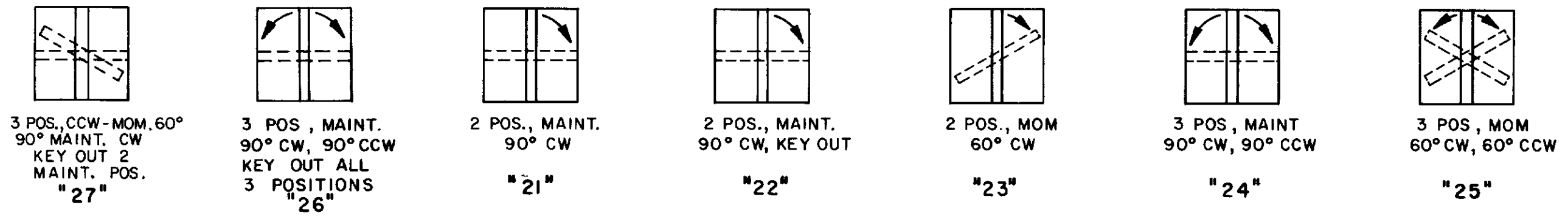
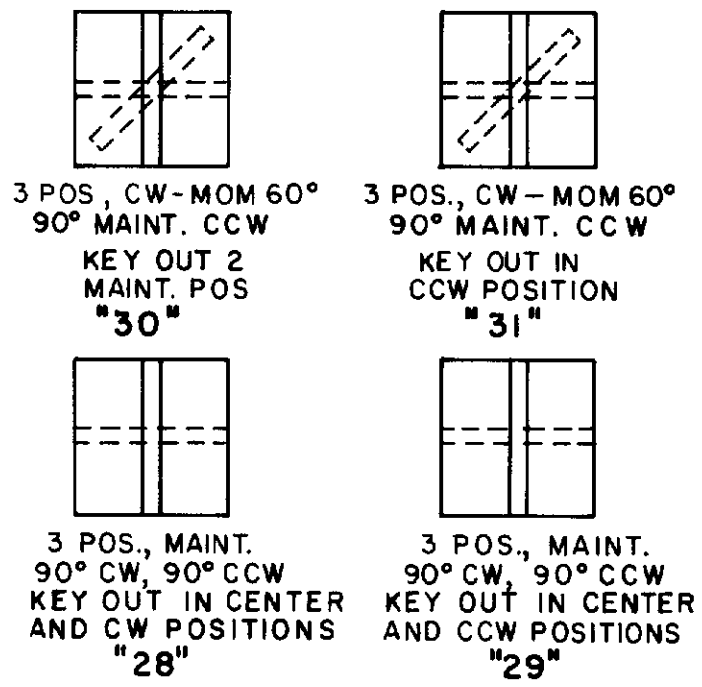
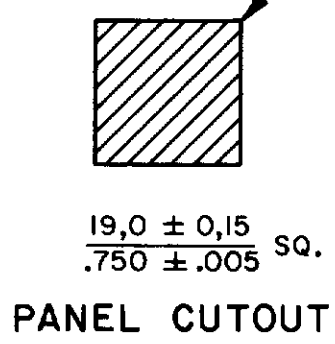
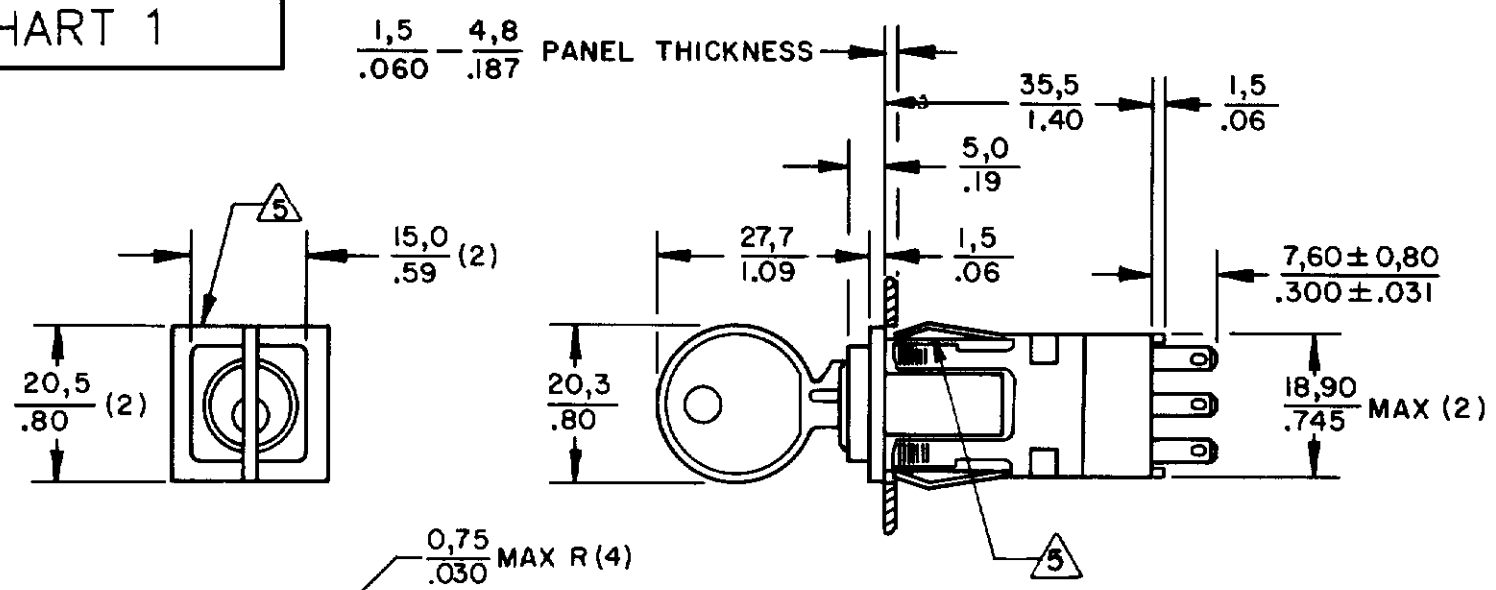
**AML
 KEYLOCK**

CATALOG LISTING
AML27 SERIES
 CHART 1

THIS DRAWING COVERS A PROPRIETARY ITEM AND IS THE PROPERTY OF MICRO SWITCH A DIVISION OF HONEYWELL THIS DRAWING IS NOT TO BE COPIED OR USED WITHOUT THE APPROVAL OF MICRO SWITCH

NOTES

- 1 - NOT ALL KEY COMBINATION CODES ARE AVAILABLE
 - 2 - SILVER AND GOLD CONTACT OPTIONS
 - 3 - ONE POLE & TWO POLE OPTION
 - 4 - ONE POLE CIRCUITRY NOT FURNISHED WITH 3 POSITION UNITS
- ⚠ E.S.D. CONDUCTOR LOCATION



OPERATING ACTION

TWO POSITION UNITS			
	RELEASED POSITION	OPERATED POSITION	
1 POLE	CIR 1-2 OPEN CIR 2-3 CLOSED	CIR 1-2 CLOSED CIR 2-3 OPEN	
2 POLE	CIR 1-2, 4-5 OPEN CIR 2-3, 5-6 CLOSED	CIR 1-2, 4-5 CLOSED CIR 2-3, 5-6 OPEN	
THREE POSITION UNITS			
	CCW	CENTER	CW
2 POLE	CIR 1-2, 5-6 OPEN CIR 2-3, 4-5 CLOSED	CIR 1-2, 4-5 OPEN CIR 2-3, 5-6 CLOSED	CIR 1-2, 4-5 CLOSED CIR 2-3, 5-6 OPEN

THIRD ANGLE PROJECTION

SCALE

DO NOT SCALE PRINT

TOLERANCES
 APPLY TO DESIGN UNITS. CONVERSIONS ARE ONLY FOR REFERENCE UNLESS NOTED. TOLERANCES ARE ±

	DM	TOL	DM	TOL
	mm	mm/in	in	mm/in
NO PLACES	X	1/64	X	0,0125
ONE PLACE	X.X	0.4/0.016	X.X	0,0125
TWO PLACES	X.XX	0.16/0.008	X.XX	0,0125
THREE PLACES	X.XXX	0.0125/0.0005	X.XXX	0,0125

DESIGN UNITS: SI METRIC US CUSTOMARY

RAW MATERIAL—COMMERCIAL STANDARD
 MICRO SWITCH STANDARDS APPLY
 DIMENSIONS ARE TO BE MET BEFORE
 PROTECTIVE COATINGS ARE APPLIED

WEIGHT